

Dual-spectrum PTZ Network Camera PT464



Product Feature

- Clearer imaging with the latest generation 12micron uncooled infrared detector and leading infrared image algorithm.
- Visual and thermal dual-spectrum imaging, meet the needs of 24/7 security monitoring.
- Support electric-focus infrared lens of 75mm , 100mm to satisfy long-distance detection.
- Support intelligent behavior analysis, such as tripwire detection and region intrusion detection.
- Support intelligent smoke and fire detection and infrared video analysis to meet the requirement of forest fire prevention and intelligent firefighting.
- Integrated with high-speed and high-accuracy PT, encapsulation rating IP66
- Support single-IP, double-channel network video transmission, transmit visible video and infrared video simultaneously.
- Support ONVIF and GB28281 standard protocols , provide SDK, matched NVR and Software

Product Specifications

Technical Index		PT464		
Thermal	Sensor Type	VOx uncooled FPA detector		
	Spectral Range	8 ~ 14 μ m		
	NETD	≤ 40 mK(@25°C,F#1.0,25Hz)		
	Max. Resolution	640×512		
	Pixel Pitch	12 μ m		
	Focal Length	75mm	100mm	
	Focus Mode	Auto/Manual/One-shot Auto		
	FOV	5.9°×4.7°	4.4°×3.5°	
	F number	F1.0	F1.2	
	Spatial Resolution	0.160mrad	0.120mrad	
	Color Palettes	20 modes selectable such as Blackhot/Whitehot/Rainbow,etc.		
Visible	Image sensor	1/1.8inch 4MP CMOS		
	Max. Resolution	2688×1520		
	Focal Length	6~300mm		
	Focus Mode	Auto / Manual / One-shot auto		
	FOV	66.0°×40.3°~ 1.4°×0.8°		
	WDR	Support		
	Day /Night	Manual/Auto		
PTZ	Fog Penetration	Support optical fog penetration		
	Pan Range	360° Continuous Rotate		
	Pan Speed	0.1° ~ 100°/s		
	Tilt Range	-90° ~ +40°		
	Tilt Speed	0.1° ~ 60°/s		
Network	Scan Mode	Preset/Pattern Scan/Patrol Scan/Linear Scan/Panorama Scan		
	Protocols	TCP/IP,UDP,ICMP,HTTP,HTTPS,FTP,DHCP,DNS,RTP,RTSP,RTCP,IGMP,SMTP, NTP, QoS		
	Interoperability	ONVIF/GB28181/SDK		
	Simultaneous live view	Up to 20 channels		
	User Management	Up to 20 users, 2 levels: Administrator and User		
Video	Browser	IE8+, multiple languages		
	Max. Resolution	2688×1520(Visible), 1280×1024 (Thermal)		
	Image Encoding Format	JPEG		
Audio Compression	G.711A/G.711Mu/PCM/AAC/MPEG2-Layer2			

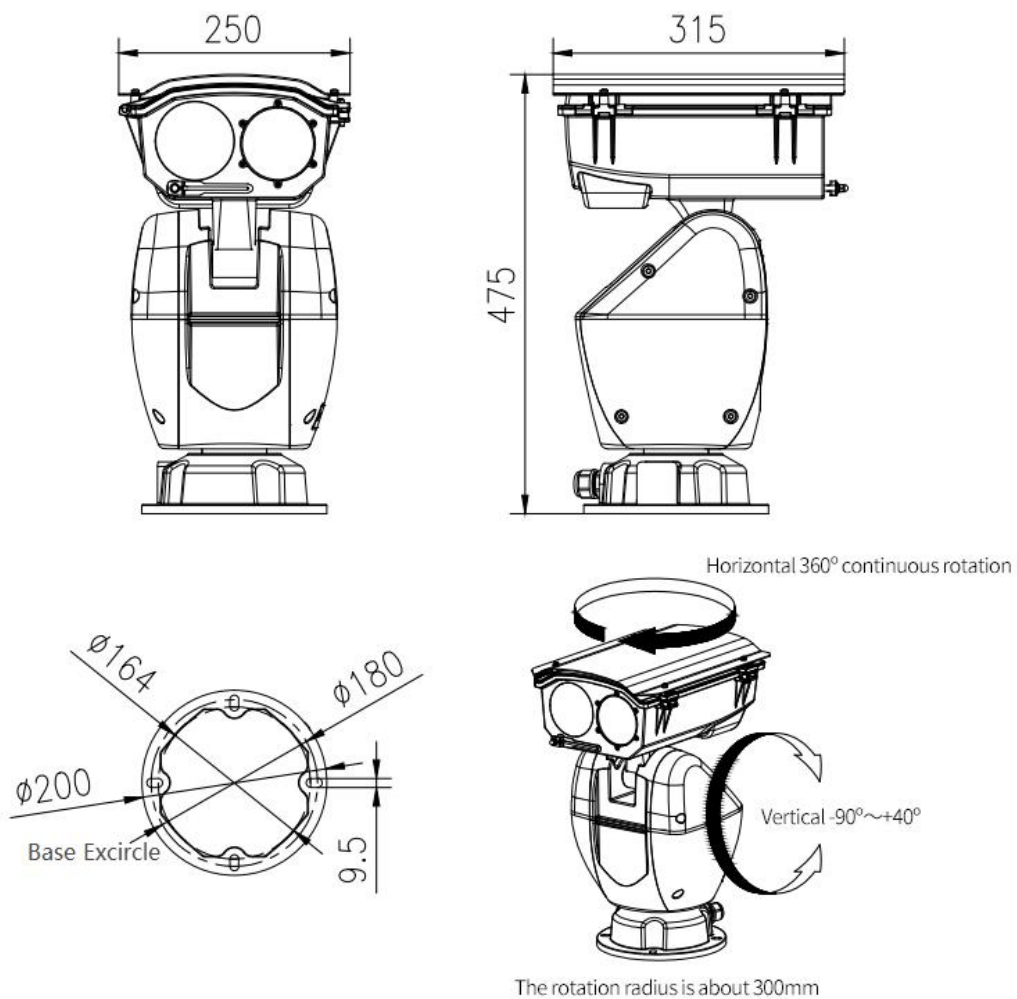
Technical Index		PT464
	Video Compression	H.264/H.265/MJPEG
	Main Stream	Visible: 50Hz:25fps(2688×1520,1920×1080,1280×720) 60Hz:30fps(2688×1520,1920×1080,1280×720) Thermal: 50Hz:25fps(1280×1024,1280×720,1024×768)
	Sub Stream	Visible: 50Hz:25fps(1920×1080,1280×720,704×576,352×288) 60Hz:30fps(1920×1080,1280×720,704×480,352×240) Thermal: 50Hz:25fps(640×512,384×288)
Smart Function	Fire Detection	yes
	Zoom Linkage	yes
	Smart Record	Alarm trigger recording, disconnection trigger recording (continue transmission after connection)
	Smart Alarm	Support alarm trigger of network disconnection, IP address conflict, full memory, memory error, illegal access and abnormal detection
	Smart Detecting	Support smart video analysis such as line intrusion, cross-border, and region intrusion
	Alarm Linkage	Recording/Capture/Sending mail/PTZ linkage/Alarm output
System Interface	Power Supply	DC 24V±15%
	Communication Interface	RJ45 self-adaptive 10M/100M Ethernet port
	Audio Interface	1channel input, 1 channel output
	Alarm Interface	7-channel input, 2-channel output
	Storage Interface	Support Micro SD card (Max.256G)
	Communication Interface	1-channel RS485
General	Operating Conditions	-40℃ ~ +70℃ ; <90%RH
	Protection Grade	IP66 , TVS 6000V Lightning Protection, Surge Protection and Voltage Transient Protection Conform to GB/T17626.5 Grade-4 Standard
	Power Consumption	Max.75W
	Dimensions(mm)	250mm×472mm×360mm(W×H×L)
	Weight	14KG

Operating Distance

The recommended distance of detecting, recognizing and identifying for man (1.8×0.5m) and vehicle (1.4×4.0m) are as follows:

Lens	DD (Vehicle)	DD (Man)	RD (Vehicle)	RD (Man)	ID (Vehicle)	ID (Man)
100mm	12.8km	4.2km	3.2km	1.0km	1.6km	0.5km
75mm	9.6km	3.1km	2.4km	0.8km	1.2km	0.4km

Structural Drawings



This datasheet is subject to change without prior notice. Please contact us to get the latest datasheet.